

Datasheet

RET24 and RET230 Electronic Room Thermostats

Application



The RET230 and RET24 are a range of electronic room thermostats offering improved thermal performance and status indication compared to that of electro-mechanical equivalents.

The range comprises of mains voltage versions, RET230, and low voltage 24V versions, RET24.

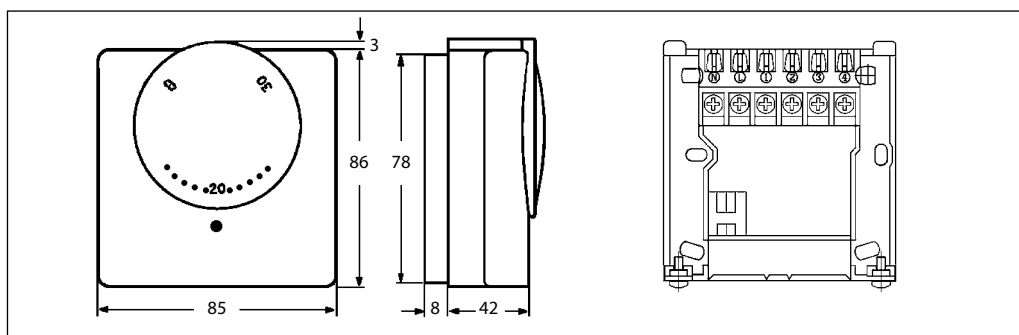
For ease of mounting, RET is based upon a wallplate construction which is fitted and wired before the thermostat is mounted.

Additional features available in the RET range include:

- Electronic accelerator heater
- LED status indication
- Night set-back option
- Voltage free outputs

Please refer to the table below for details.

Dimensions



Ordering Codes and Data

RET Electronic Room Thermostats							
Type	Code No.	Operating Voltage	Electronic Accelerator	Night Set-back	LED Status Indicators		Comment
					Power On (1)	Stat Calling (2)	
RET24	087N701400	24 Vac	●			●	
RET24VF	087N701600	24 Vac	●			●	Volt free contacts
RET24NSB	087N701800	24 Vac	●	● 5K		● (4)	Night set-back is achieved using external time control
RET230	087N700400	220/240 Vac	●			●	
RET230L	087N700600	220/240 Vac	●		●	●	
RET230VF	087N700800	220/240 Vac	●			●	Volt free contacts
RET230VF2	087N700801	220/240 Vac	●		●	●	
RET230NSB	087N701000	220/240 Vac	●	● 5K	● (3)	●	Night set-back is achieved using external time control

(1) 'Power On' indicator is lit when power is applied to thermostat (left hand LED).

(2) 'Calling' indicator is lit when thermostat relay is closed and calling for heat (right hand LED).

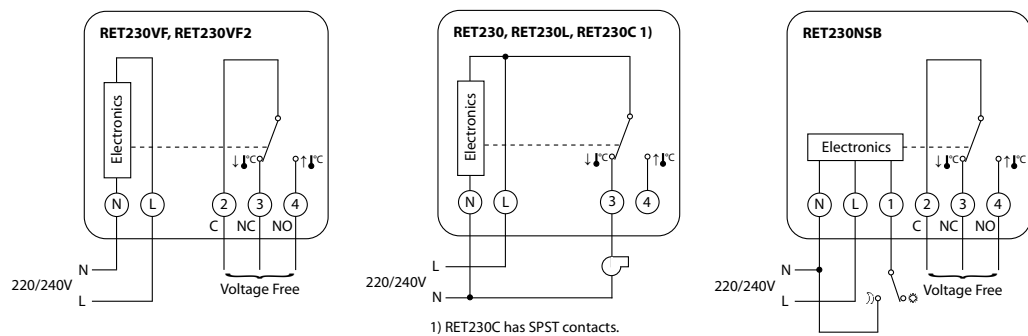
(3) In Night Set-Back version, 'Power On' LED changes colour during night set-back period (left hand LED).

(4) In RET 24NSB mode, left hand LED is lit during night set-back period.

Specifications	RET24	RET24VF/RET24NSB	RET230F	RET230C	RET230/RET230L	RET230VF ⁽²⁾ /RET230NSB
Switching Differential	< 1K	< 1K	< 1K	< 1K	< 1K	< 1K
Temperature Range	5-30°C	5-30°C	5-10°C	5-30°C	5-30°C	5-30°C
Operating Voltage	24 Vac	24 Vac	220/240 Vac	220/240 Vac	220/240 Vac	220/240 Vac
Switch Type (common linked int.)	SPDT	-	SPST	SPST	SPDT	-
Switch Type (voltage free contacts)	-	SPDT	-	-	-	SPDT
Contact Current Rating	3(1)A	3(1)A	3(1)A	3(1)A	3(1)A	3(1)A
Locking and Limiting Feature	Yes	Yes	Yes	Yes	Yes	Yes
Dimensions (mm) (h x w x d)	86 x 85 x 42	86 x 85 x 42	86 x 85 x 42	86 x 85 x 42	86 x 85 x 42	86 x 85 x 42

Datasheet RET24 and RET230

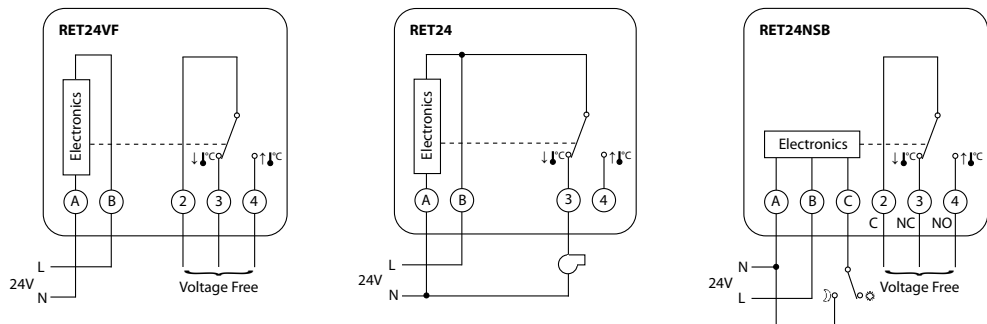
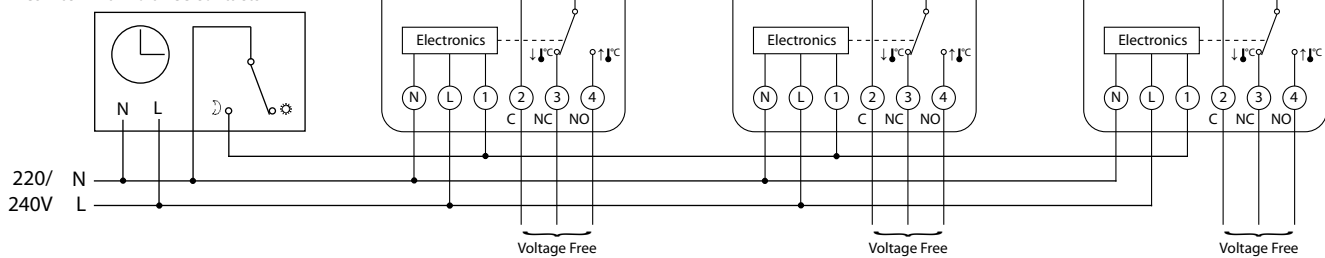
RET230



Typical Application

Multiple zones -
RET230's NSB controlled by one timeswitch.

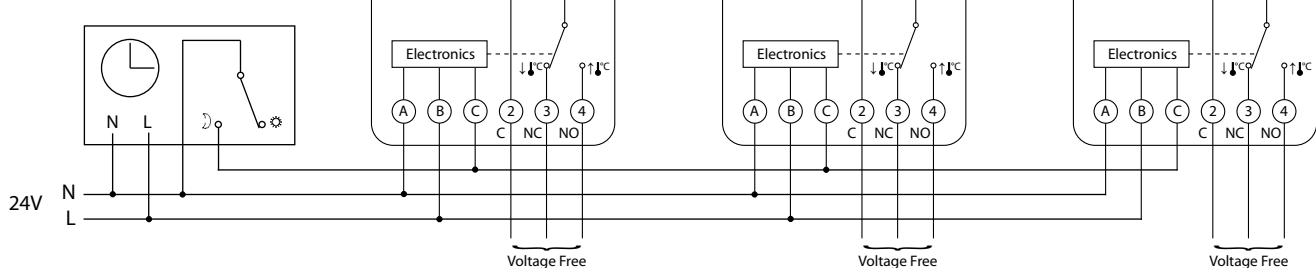
Timeswitch with volt free contacts



Typical Application

Multiple zones -
RET24's NSB controlled by one timeswitch.

Timeswitch with volt free contacts



Danfoss can accept no responsibility for possible errors in catalogues, brochures, and other printed material. Danfoss reserves the right to alter its products without notice. This also applies to products already on order provided that such alterations can be made without consequential changes being necessary in specifications already agreed. All trademarks in this material are property of the respective companies. Danfoss and the Danfoss logotype are trademarks of Danfoss A/S. All rights reserved.